



AQUASTEP SCREEN

Cost Effective Fine Screening

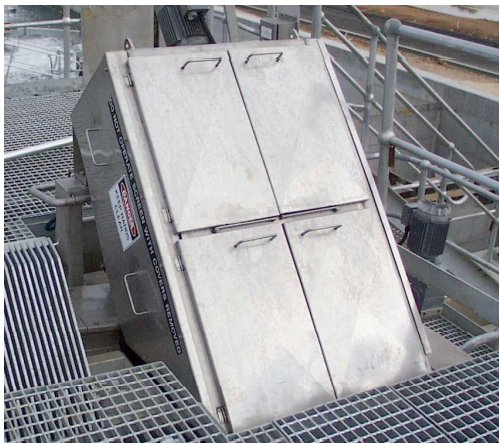
Product Description

The AQUASTEP screen is the latest development in the new generation of fine screens that have unique step shaped laminates. These stepped laminates enable the screen to capture and remove plastics and other solids from any water flow channels.

A set of stationary laminates alternates with a set of moving laminates, with the action lifting the screening up to the next stationary step. An upward transfer speed of approximately 1.5m/min is achieved while the screen is operating.

The Aquastep screen is available in 304 and 316 stainless steel and arrives fully assembled ready for installation in the water channel.

Over 25 years experience in designing screening equipment for Australian conditions ensures that the AQUASTEP step screen will be ideally suited for your application.



Design Advantages

- Maintenance is simple, as there are no submerged gears, chains or sprockets.
- An Electronic shear pin is provided for overtorque protection.
- Different step sizes are available to suit different screening applications.
- Slot width can be 1, 2, 3, 4, 5 and 6mm to suit the application.
- Bottom grit guard to prevent jamming at the bottom step.
- Custom designed to suit the channel dimensions and easy to retrofit into existing screening channels.
- The screenings form a mat in front of the screen that provides a filtration size smaller than the slot size.
- Positive wiping of the screen discharge to reduce hanging over of screenings.
- Simple twin-cam design for low maintenance.

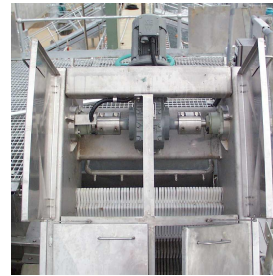
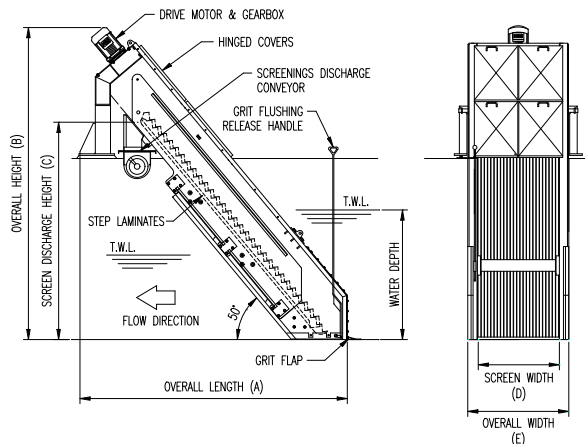
Design Features

- All Stainless Steel Construction.
- Stainless steel frame with cover to contain odour.
- The laminates can be individually replaced.
- Thickness of each laminate is 3mm and very robust.
- Spacers are constructed of HDPE.
- The whole screen can be easily lifted up for servicing by unbolting the frame above the channel or pivot out of the channel for maintenance. (optional)
- Self-cleaning system which does not require spray water.
- Bottom and top HDPE guides.

Aquatec-Maxcon can provide complete screening, conveying, washing and dewatering systems.

We can provide a complete screening system using:

- Shaftless screw conveyor/dewatering press.
- Hydraulic piston type screening dewatering press.
- Shaftless screw press with washing to reduce the faecal matter in sewerage applications.
- Specially designed screening washer to reduce faecal matter to a low value in sewerage applications.



Applications

- Wastewater treatment plant.
- Sludge screening.
- Septage screening.
- Raw water screening

Model	Motor Size (kW)	A (mm)	B (mm)	C (mm)	D (mm)	E (mm)
AQS-1	0.37-0.75	2029	2480	1380	300 - 1548	500 - 1750
AQS-2	0.75 - 1.5	2280	2780	1680	300 - 1548	500 - 1750
AQS-3	1.1 - 1.5	2405	2930	1830	300 - 1548	500 - 1750
AQS-4	1.1 - 1.5	2575	3130	2030	300 - 2000	500 - 2200
AQS-5	1.5 - 2.2	2785	3380	2280	300 - 2000	500 - 2200
AQS-6	1.5 - 2.2	2950	3580	2480	300 - 2000	500 - 2200
AQS-7	2.2 - 3.0	3075	3730	2630	300 - 2000	500 - 2200
AQS-8	2.2 - 3.0	3415	4130	3030	300 - 2000	500 - 2200

Ver. 2.0 July, 2001

AQUATEC-MAXCON PTY LTD

A.B.N. 45 002 250 482

SYDNEY
1ST FLOOR 221 EASTERN VALLEY WAY
MIDDLE COVE NSW 2068
AUSTRALIA
TEL: (61) 2 9958 8029
FAX: (61) 2 9958 5414
E-mail: aquatecs@aquatec.com.au

JAKARTA
JL. CAMAR V/AF 07
BINTARO JAYA SEKTOR 111
JAKARTA 12551 INDONESIA
TEL: (62) 21 737 0044 /
(62) 21 737 4004
FAX: (62) 21 736 1643

BRISBANE
119 TOONGARRA ROAD
IPSWICH QLD 4305
AUSTRALIA
TEL: (61) 7 3813 7100
FAX: (61) 7 3813 7199
E-mail: aquateci@gil.com.au

The manufacturer reserves the right to alter performance, specification or design without notice.