

# ***AQUADRUM - ICT***

## ***In-Channel Trommel Screening Technology***

Aquatec-Maxcon developed the flag ship of our fine screening fleet, the **AquaDrum-ICT**, in 1989 using a full scale prototype.

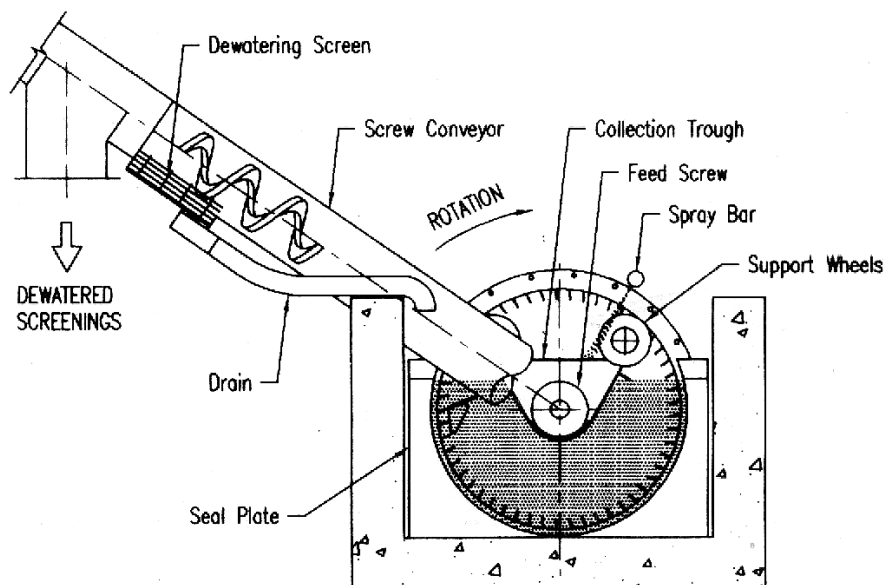
Since its inception, over 4 years of refinement has placed the **AquaDrum-ICT** at the forefront of fine screening technology.

The **Aquadrum-ICT**, as the name suggests, sits within an existing or proposed channel providing fine screening of in-coming flows.

***Fine Screens Improve Your Process Operation and Stops Plastics and Rags Fouling Your Digestors and Contaminating Reusable Waste Sludge***

### **Design Advantages**

- Support wheels, drives and bearings are all well above top of water level
- Tested and proven design
- Lower headloss than conventional trommel screens
- Install into existing works with a minimum of fuss
- The screen simply drops into the channel, resting on 2 transverse beams
- Semi-enclosed to contain aerosols and accept maintenance crews
- Delivers dewatered and pressed screenings
- Our self-cleaning wedgewire technology eliminates stapling and blinding



**AQUADRUM - ICT**  
**SECTIONAL VIEW**

**One AQUADRUM-ICT Can Screen  
Flows of Up to 3,000 L/s**

**Design Features**

Flow enters the open end of the wedgewire drum and passes through the tapered aperture

Screenings trapped by the wedgewire are lifted by the rotating drum to fall into the centrally located shaftless screw conveyor

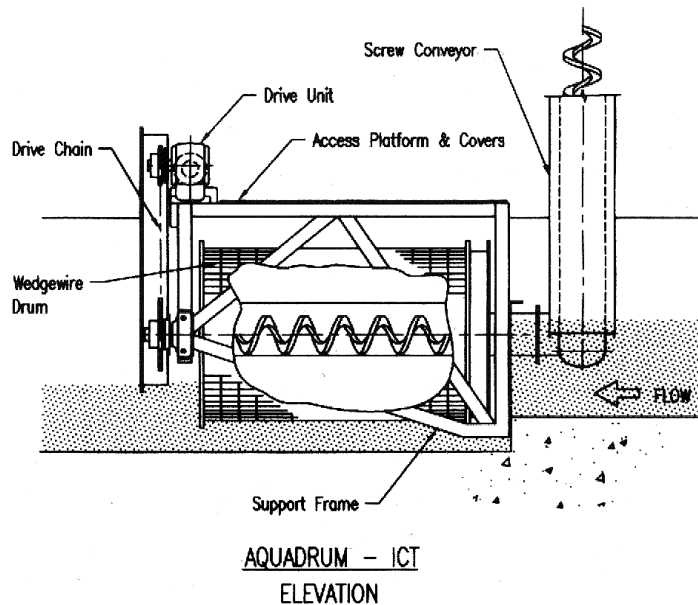
The central screw conveyor transports the screenings to the inlet end of the screen with a second conveyor at 90° to the screen transporting and dewatering screenings to your collection bin

- Wedgewire apertures can range from 0.25m to 10mm
- The wedgewire drum is constructed from stainless steel with grades varying from 304 to exotics such as Hastelloy C.

EXAMPLE WITH 5MM WEDGEWIRE APERTURE		
Flow (L/s)	Minimum Channel Width (mm)	Drum Size (mm)
0 to 300	1200	900 x 1500
300 to 800	1800	1500 x 2000
800 to 1500	1800	1500 x 3000
1500 to 3000	2300	1800 x 3000

**Applications**

- Sewage treatment plant inlet
- Water treatment plant inlet
- Sewage plant overflows
- Sewer surcharges
- Industrial screening
- Sludge Screening
- Stormwater Screening



The manufacturer reserves the right to alter performance, specification or design without notice.



**QLD:** 119 Toongarra Road,  
Ipswich QLD Australia 4305  
TELEPHONE: (61) 7 3813 7100  
FACSIMILE: (61) 7 3813 7199  
EMAIL: aquateci@gil.com.au

**NSW:** 1st Floor 221 Eastern Valley Way  
Middle Cove, NSW Australia 2068  
TELEPHONE (61) 2 9958 8029  
FACSIMILE (61) 2 9958 5414  
EMAIL: aquatecs@aquatec.com.au

**Web:** [www.aquatecmaxcon.com.au](http://www.aquatecmaxcon.com.au)